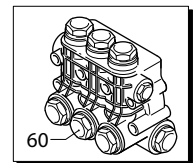
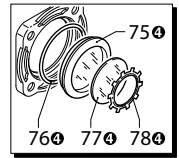
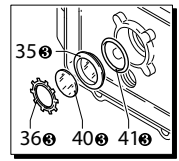
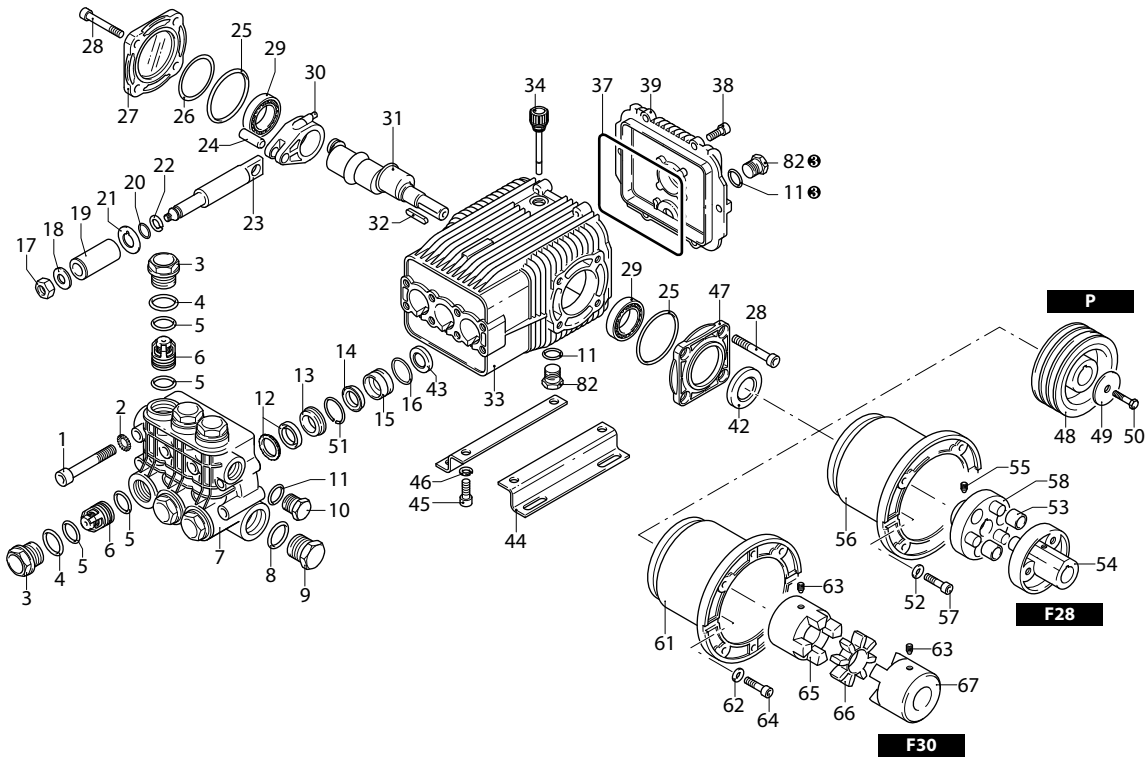


XW

VERSION

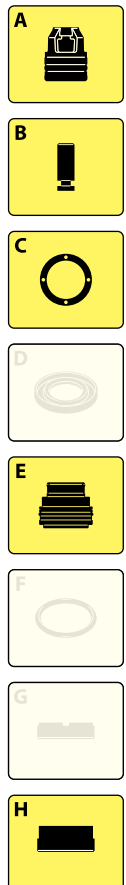
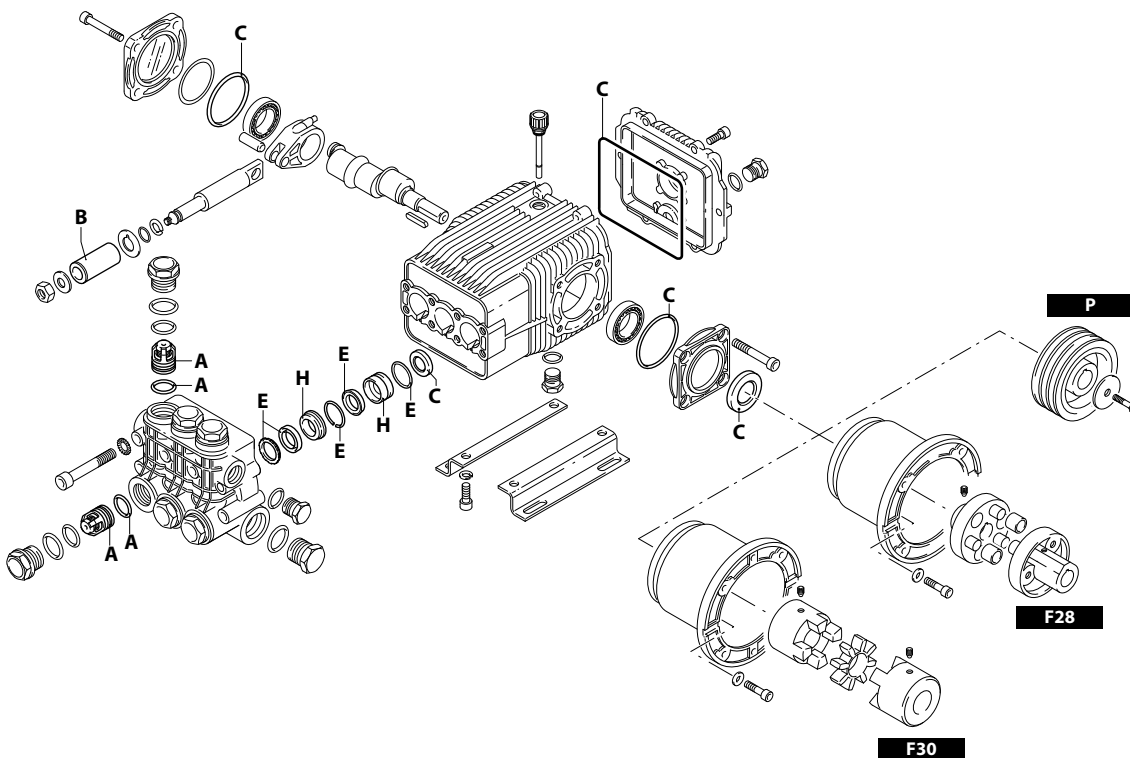
N 1450rpm

∅ 24x45 mm



UN002607-AV

PART KITS / 配套零件



UN002608-AV

(1948601) (1948615)

194 Series

XW 1450 rpm N version ø 24 mm

15.15	15.20	15.30	21.20	21.25	21.28
26.12	26.15	26.20	26.23	30.10	30.15
30.20	30.25				



Pos. 序号	Cod. 编号	Description	描述	Qt 数量	Note 备注	Pos. 序号	Cod. 编号	Description	描述	Qt 数量	Note 备注
1	1940260	Screw	TCEI M10x80	8	C=50Nm	33	1941330	Pump body	泵体	1	
2	650530	Washer		8		34	1140370	Plug	油尺	1	
3	1940140	Plug		6	C=68Nm	35	1260250	Level gauge	油标	1	ⓐ
4	1940150	Ring	antiestrusione	6		36	1260430	Ring	环	1	ⓐ
5	1140450	O-ring	Ø 20,24x2,62	12		37	1940410	O-ring	Ø 132x3	1	
6	1949050	Complete valve		6		38	1200430	Screw	TCEI M6x16	6	C=10,4 Nm
7	1940021	Head		1	● ◆ ○ ■	39	1949010	Cover	complete	1	
	1941210	Head		1	▲	40	1780690	Plate		1	ⓐ
8	550350	O-ring	Ø 23,81X2,62	1		41	1140450	O-ring	Ø 20,24x2,62	1	ⓐ
9	1140300	Plug	3/4" G	1	C=35Nm	42	820680	Ring	tenuta	1	(b)
10	1980740	Plug	3/8" G ottone	1	C=25Nm	43	1940560	Ring	tenuta	3	
11	740290	O-ring	Ø 14x1,78	3	ⓐ	44	1940370	Foot		2	Optional
12	1940440	Gasket	Ø 20	3	● ◆ ○ ■ (a)	45	1940380	Screw	TCEI 10x18	4	Optional C=53 Nm
	1940270	Gasket	Ø 22	3	▲ (a)	46	200231	Washer		4	Optional
13	1940430	Piston guide	anteriore Ø 20	3	● ◆ ○ ■	47	1941240	Support		1	
	1940200	Piston guide	anteriore Ø 22	3	▲	48	1940290	Pulley		1	
14	1940470	Gasket	Ø 20	3	● ◆ ○ ■ (a)	49	780230	Washer		1	
	1940480	Gasket	Ø 22	3	▲ (a)	50	780060	Screw	TCEI M6x25	1	
15	1940450	Piston guide	posteriore Ø 20	3	● ◆ ○ ■	51	1941220	Gasket	tagliato Ø22	3	
	1940460	Piston guide	posteriore Ø 22	3	▲	52	390311	Washer		4	
16	820490	O-ring	Ø 34,65x1,78	3		53	1321670	Bushing		6	
17	1940570	Nut		3	● (C=12Nm)	54	1380340	Coupling		1	
18	1940580	Washer		3		55	1380180	Screw	M6x10	2	
19	1420430	Piston	Ø 20	3	● ◆ ○ ■	56	1940890	Flange		1	B3/B14
	1420120	Piston	Ø 22	3	▲	57	620610	Screw	TCEI M8x30	4	
20	880840	O-ring	Ø 9,25x1,78	3		58	1940870	Coupling		1	
21	960460	Plate		3		59	1949200	Head assembly		1	● ◆ ○ ■
22	1940120	Ring	antiestrusione	3		60	1949203	Head assembly		1	▲
23	1940070	Piston	di guida	3		61	1383080	Flange	F30	1	B3/B14
24	1940060	Hub pin		3		62	390311	Washer		4	
25	1941380	O-ring	Ø 66,34x2,62	2		63	1380180	Screw	M6x10	2	
26	1941390	Shim 0.05 mm		1÷3		64	620610	Screw	TCEI M8x30	4	
	1941400	Shim 0.10 mm		1÷3		65	1942890	Coupling		1	
	1941410	Shim 0.19 mm		1÷3		66	1942900	Ring		1	
	1941420	Shim 0.25 mm		1÷3		67	1942910	Coupling		1	
27	1949011	Cover		1		75	1941270	Level gauge		1	④
28	850370	Screw	TCEI M8x16	8	C=24,5Nm	76	100410	O-ring	Ø 34,6x2,62	1	④
29	1941370	Bearing		2	●	77	1941260	Plate		1	④
	1140410	Bearing		2	◆ ○ ■ ▲	78	1941290	Ring		1	④
30	1940051	Connecting-rod	alluminio	3	● (C=20Nm)	82	1980740	Plug	3/8" G ottone	2	ⓐ C=20Nm
31	1940520	Shaft	marcato 5	1	● ◆	ⓐ Part of part n° 1949010 / 配件号是1949010 ④ Part of part n° 1949011 / 配件号是1949011					
	1940180	Shaft	marcato 3	1	○						
	1940160	Shaft	marcato 1	1	■ ▲						
32	650250	Key		1							

PART KITS - 配套零件

A=KIT 2780 valves 单向阀		B=KIT 2650 ø 20 pistons 柱塞		B=KIT 1891 ø 22 pistons 柱塞		C=KIT 2873 oil seals 油封	
Pos. 序号	Q.ty 数量	Pos. 序号	Q.ty 数量	Pos. 序号	Q.ty 数量	Pos. 序号	Q.ty 数量
5	6	19	3	19	3	25	2
6	6					37	1
						42	1
						43	3

E=KIT 2782 ø 20 water seals 水封		E=KIT 2783 ø 22 water seals 水封		H=KIT 2784 ø 20 pistons guide 柱塞套		H=KIT 2785 ø 22 pistons guide 柱塞套	
Pos. 序号	Q.ty 数量	Pos. 序号	Q.ty 数量	Pos. 序号	Q.ty 数量	Pos. 序号	Q.ty 数量
12	3	12	3	13	3	13	3
14	3	14	3	15	3	15	3
16	3	16	3				
51	3	51	3				

SIMBOLOGIA - 标记

Ø 20	Ø 20	Ø 20	Ø 22
● For / 用于 XW 15.15 XW 15.20	○ For / 用于 XW 21.20 XW 21.25 XW 21.28	■ For / 用于 XW 26.12 XW 26.15 XW 26.20 XW 26.23	▲ For / 用于 XW 30.10 XW 30.15 XW 30.20 XW 30.25
◆ For / 用于 XW 15.30			

- C Tightening torque tolerance 0÷10% | 拧紧力矩公差 0÷10%
- Screw with Loxeal 55-14 | 用 Loxeal 55-14 螺丝
- ☒ Lubricate with grease Molykote PG54 on the INNER diameter only | 仅在口径内侧用 Molykote PG54 润滑
- (a) Fit with special tool code nr. 1940670 | 用特制工具 nr. 1940670
- (b) Fit the seal with tool code nr. 1941990 | 用 nr. 1941990 工具进行密封

Oil - 机油	
Type / 类型	Quantity / 数量
SAE 15W40	0,9 Kg